

FAIRBANKS®

PORTABLE BEAM SCALE 1124 SERIES



The 1124 Series is a rugged and economical scale for industrial and commercial general utility weighing needs. The large platform and 1000 lb capacity make this scale ideal for a variety of weighing applications.

RUGGED AND LONG LASTING

The base, lever system and platform are all made of durable cast iron. The 1124 Series Portable Beam Scale will provide exceptional accuracy over many years of service, resisting corrosion and bending.

COMPACT AND EASY TO MOVE

The portable beam scale, aided by sturdy cast iron wheels and a compact design, is easily maneuvered, even in tight spaces.

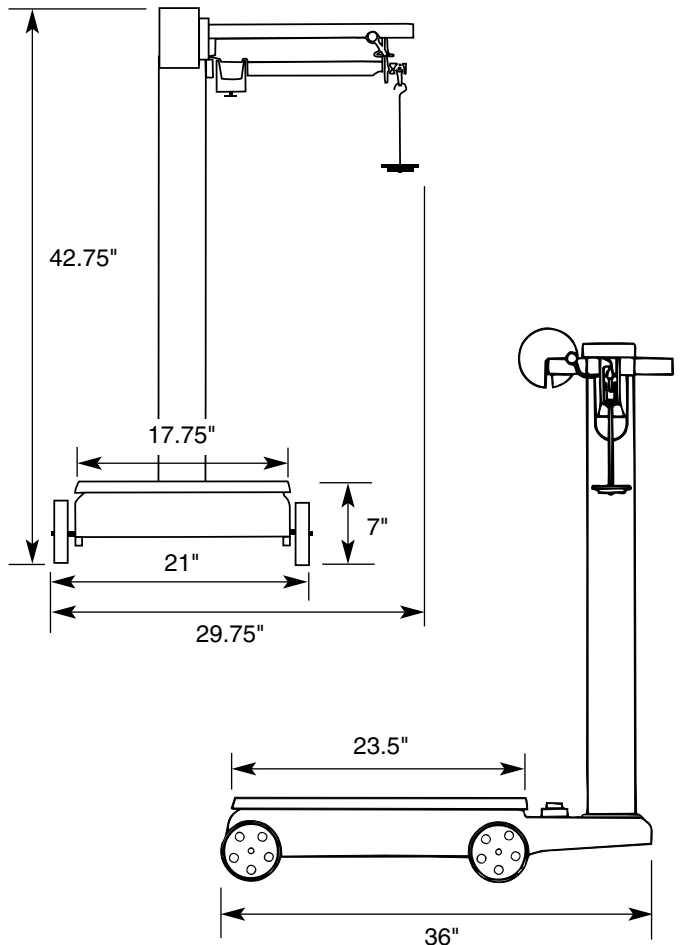
EASY-TO-READ BEAM

Large, easy-to-read graduations are on a chrome-plated beam with a brass inset. The open-face poise with pointer clearly shows exact weight. A set screw holds the poise firmly in place when preset. The Model 1124-1 is the metric version of this scale.

SPECIFICATIONS

Capacity	1124 (#55652) = 1000 lb
	1124-1 (#55653) = 500 kg
Beam Graduation	1124 (#55652) = 100 lb x 0.5 lb
	1124-1 (#55653) = 50 kg x 200 g
Counterpoise Weights.	1124 (#55652) = 900 lb
	1124-1 (#55653) = 450 kg

DIMENSIONS



QuickFacts™

Models and specifications subject to change without notice.
© Fairbanks Scales Inc.
www.Fairbanks.com

Call toll-free for the Fairbanks representative nearest you:
(800) 451-4107